



INTRODUCTION TO
SMARTFRAME
DRYWALL FRAMING
SYSTEM

THE SMARTFRAME DRYWALL FRAMING SYSTEM

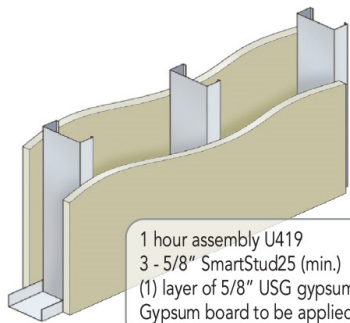
- *The SmartFrame Drywall Framing System is the result of superior engineering and advanced roll forming technology.*
- *Products are manufactured in accordance with AISI S220 & ASTM C645.*
- *Products feature optimized reinforced profiles and are produced from a greater strength steel than conventional products.*
- *The System is comprised of (2) product groups.*
 1. **SmartStud**
 2. **SmartTrack**

THE SMARTFRAME DRYWALL FRAMING SYSTEM

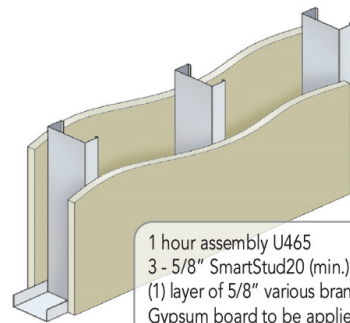
- *Conventional Drywall studs are produced from 33ksi steel.*
- *SmartStud is produced from 50ksi steel.*
 - That's more than a 30% increase in steel strength.
 - The increase in steel strength + reinforced profiles allow for steel thickness to be reduced while improving the products capabilities.
 - The combination of these attributes provide for superior performance.
 - SmartStud is featured in UL brand name listed assemblies.
 - The SmartFrame Drywall Framing System has been performance tested at Structural Testing and Research (STaR Labs), an ISO & IAS accredited testing facility.

FIRE RATED UL ASSEMBLIES

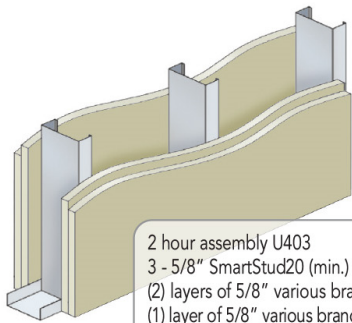
- 1, 2, 3, & 4 Hour Assemblies



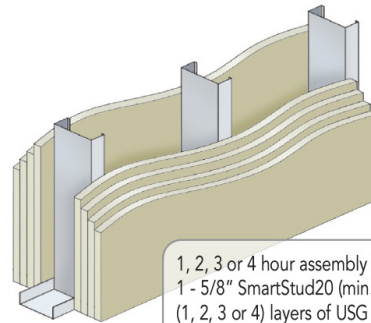
1 hour assembly U419
 3 - 5/8" SmartStud25 (min.)
 (1) layer of 5/8" USG gypsum board each side
 Gypsum board to be applied vertically or horizontally



1 hour assembly U465
 3 - 5/8" SmartStud20 (min.)
 (1) layer of 5/8" various brand gypsum board each side
 Gypsum board to be applied vertically



2 hour assembly U403
 3 - 5/8" SmartStud20 (min.)
 (2) layers of 5/8" various brand gypsum board side 1
 (1) layer of 5/8" various brand gypsum board side 2 plus
 (1) layer of 1/2" various brand gypsum board
 All layers of gypsum board to be applied vertically



1, 2, 3 or 4 hour assembly V477
 1 - 5/8" SmartStud20 (min.)
 (1, 2, 3 or 4) layers of USG gypsum board each side
 Gypsum board to be applied vertically or horizontally

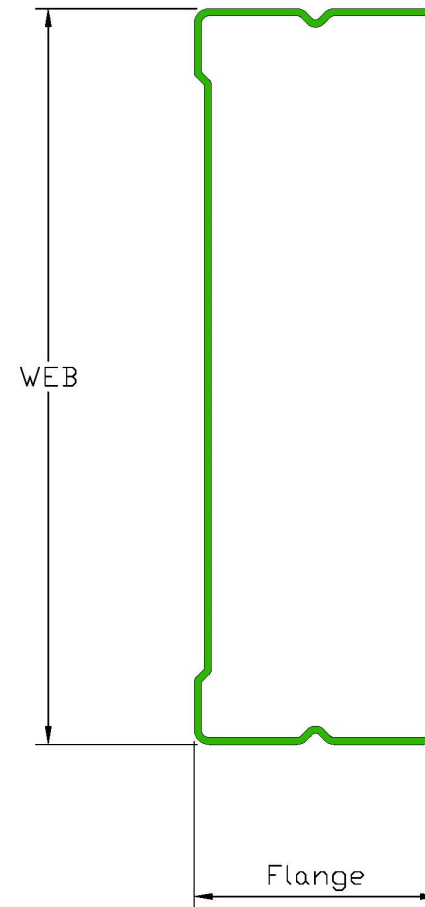
Other brand specific UL listings include U375, U412, U421, U435, U450, U466, U475, V418, V438, V448, V489, V496, V498.
 Please see CRACO's SmartFrame Drywall Framing System product catalog posted at www.cracometals.com for more information.
 The SmartFrame Drywall Framing System meets or exceeds other generic UL, Intertek & Factory Mutual fire listings.



SMARTSTUD

SmartStud Profile.

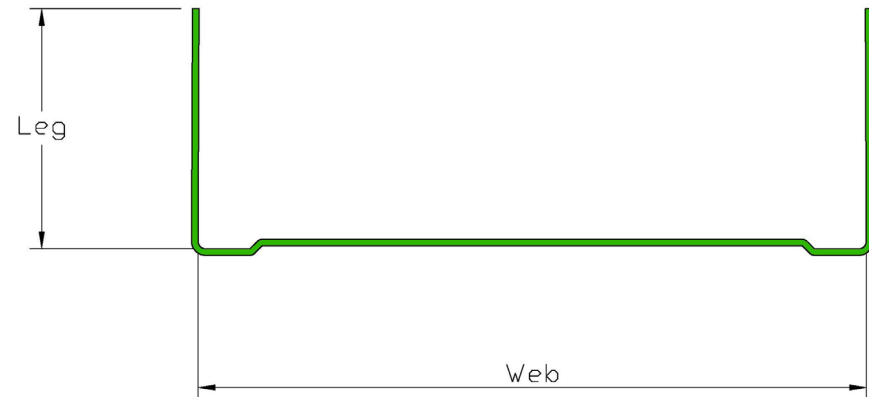
- Available Web Sizes;
 - 1-5/8", 2-1/2", 3-5/8" 4", 6"
- Flange Size;
 - 1-1/4"
- Mil/gauge thickness;
 - 15M/25gaEQ, 19M/20gaEQ



SMARTTRACK

SmartTrack Profile.

- Available Web Sizes;
 - 1-5/8", 2-1/2", 3-5/8" 4", 6";
- Leg Size;
 - 1-1/4", 2"
- Mil/gauge thickness;
 - 15M/25gaEQ, 19M/20gaEQ



STEEL FRAMING CODE COMPLIANCE

- *What makes Steel Framing Code Compliant?*
 - Product manufactured & delivered to your job site should be clearly marked to indicate the steels properties.
 - This includes the following information per ASTM C645;
 - Company name or identification.
 - Minimum steel thickness.
 - Minimum yield strength if other than 33.



SMARTSTUD & SMARTTRACK

- *The Benefits of Steel Framing:*

- Consistent Quality.
- Proven performance.
- SmartStud & SmartTrack are non-combustible.
- **It's a Green product as it contains a minimum of 25% recycled steel and is 100% recyclable.**
- Resistant to rot, mold and insect infestation.
- Lighter than conventional framing products.
- Virtually no waste or jobsite cutting.

STEEL FRAMING - SUPPORT

- *CRACO Website*
 - www.cracometals.com
 - CRACO's website contains product specifications and catalogs as well as a submittal builder for preparing instant product submittals.
- *Technical Support*
 - technical@cracometals.com or 1-803-389-4425
 - Contact us anytime for assistance with any CRACO steel framing products.





CRACOMETALS.COM

1-803-684-5544