

**Product Category:** Rigid Framing Connector - *NEW*  
**Product Name:** SmartFrame® UtilityAngle SFUA Patent Pending

**Product Description:**

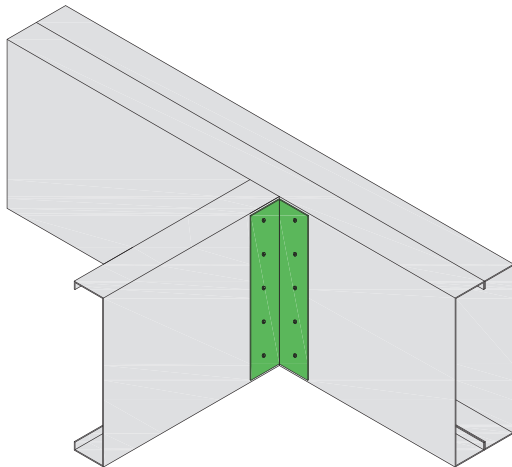
UtilityAngles are commonly used for rigid connections that require a 90 degree angle. Products featured on this document are punched as shown for fasteners.

**Material:**

54mil thickness - 16 gauge, 0.0566" design thickness.  
 68mil thickness - 14 gauge, 0.0713" design thickness.  
 97mil thickness - 12 gauge, 0.1017" design thickness.  
 Other thickness's available by request.  
 ASTM A1003 coating.

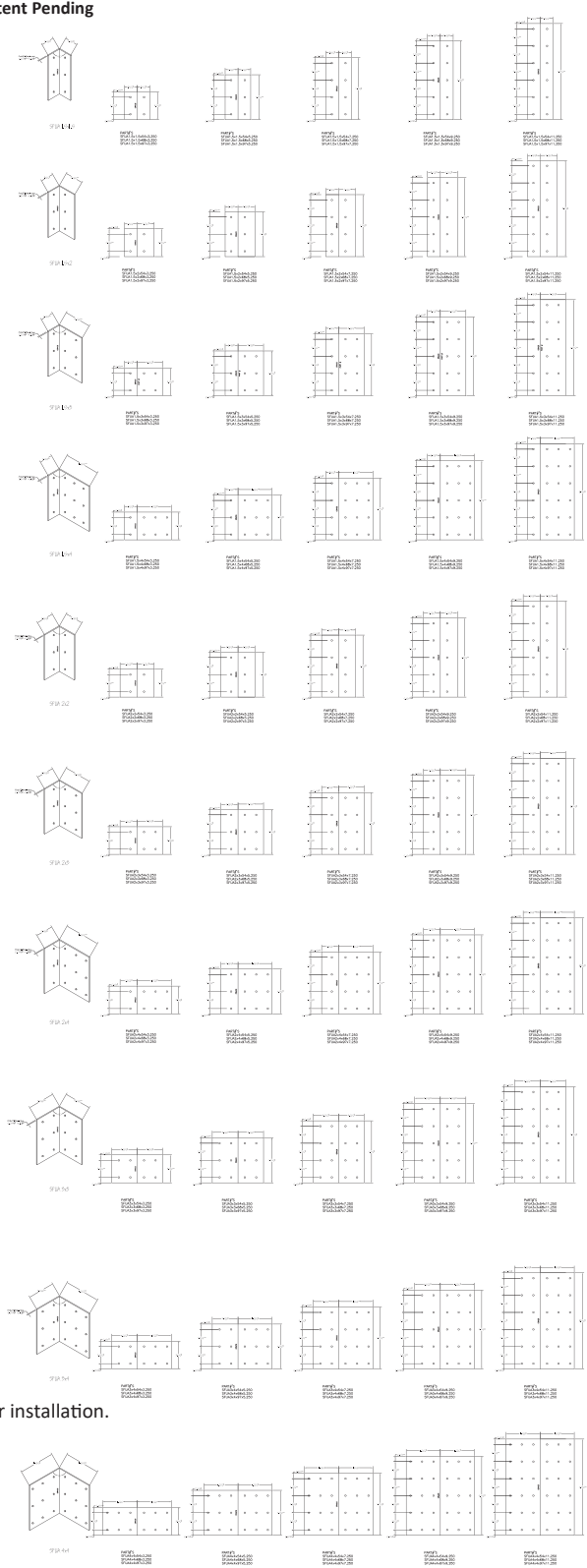
**Available Lengths:**

3.25", 5.250", 7.250", 9.250", 11.250".



SFUA1.5"x1"  
 SFUA1.5"x2"  
 SFUA2"x2"  
 SFUA3"x3"  
 SFUA4"x4"

SFUA1.5"x3"  
 SFUA1.5"x4"  
 SFUA2"x3"  
 SFUA2"x4"  
 SFUA3"x4"



**Notes:**

1. Attach SmartFrame Connector to steel framing with #12 self-drilling screws.
2. It is the responsibility of the design professional to engineer and detail proper connector installation.
3. This document, dated 6/11/18, supercedes all previous versions.