

Product Category: Rigid Framing Connector
Product Name: SmartFrame® TuffClip SFTC Patent US D644,5035

Product Description:

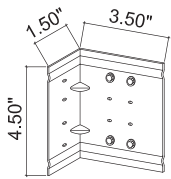
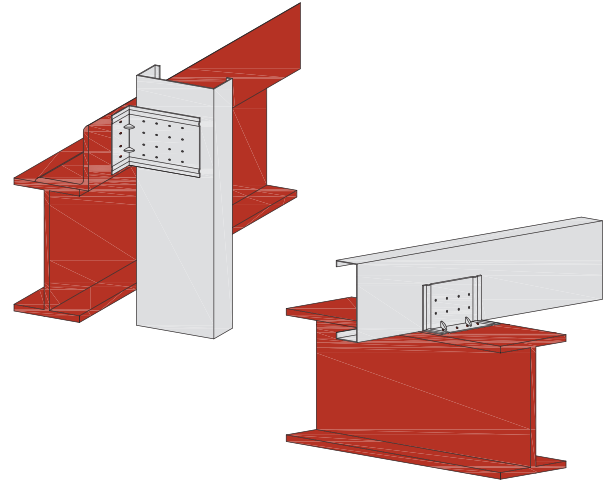
TuffClip Connectors are used for securing steel studs to structure in a by-pass situation while also supporting the weight of the framing.

Material:

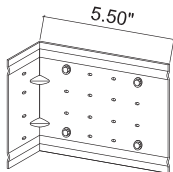
68mil thickness - 14 gauge, 0.0713" design thickness.
 ASTM A1003 coating.

Products:

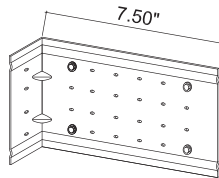
SFTC300, SFTC600, SFTC800, SFTC1000



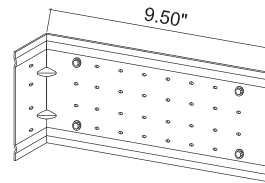
SFTC300



SFTC600

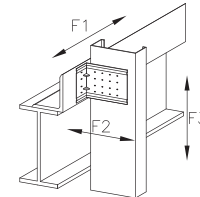


SFTC800



SFTC1000

Stud Member		F1	F2	F3
		TuffClip	TuffClip	TuffClip
Thickness Ga/Mils	ksi	w/4 #12 Screws	w/4 #12 Screws	w/4 #12 Screws
20(33)	33	186	708	384
18(43)	33	242	1052	570
16(54)	33	304	1480	1044
14(68)	50	522	1556	1623
12(97)	50	522	1556	1623



SmartFrame Bucket Quantity	
SFTC300	100
SFTC600	75
SFTC800	50
SFTC1000	50

Notes:

1. Attach SmartFrame Connector to steel framing with #12 self-drilling screws.
2. Values shown are for preliminary purposes only based on applied loads to stud fasteners and do not consider anchorage to structure.
3. It is the responsibility of the design professional to engineer and detail proper connector installation.
4. This document, dated 7/1/17, supercedes all previous versions.