

**Product Category:**

**Available Web Sizes:**

**Leg Length:**

**Stock Track Length:**

**Slotted Slip Track**

**2-1/2", 3-5/8", 4", 6", 8"**

**2-1/2"**

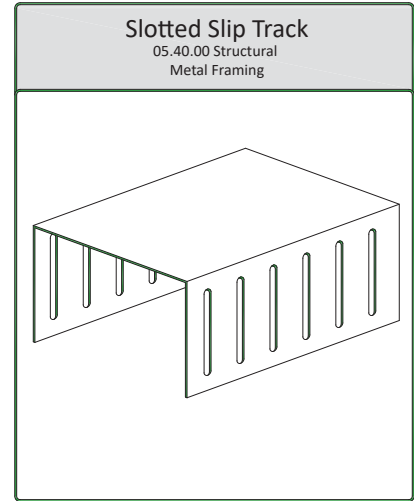
**10'-0"**

Available Gauge Thickness:

20, 18, 16, 14

Available Mil Thickness:

33, 43, 54, 68



**Product Description**

Metal Lite Slotted Slip Track provides positive attachment of studs to tracks for wall strength while allowing for vertical deflection. This product integrates with traditional wall systems and reduces labor costs with its easy installation.

Metal Lite Slotted Slip Track is a UL listed Head of Wall System.

Gauge / Mils	Design Thickness	Web Size	Pieces Skid	Gauge / Mils	Design Thickness	Web Size	Pieces Skid
20 / 33	0.0346	2-1/2"	100	18 / 43	0.0451	2-1/2"	100
		3-5/8"				3-5/8"	
		4				4	
		6				6	
		8				8	
P = 166 lbs				P = 196 lbs			
16 / 54	0.0566	2-1/2"	100	14 / 68	0.0713	2-1/2"	100
		3-5/8"				3-5/8"	
		4				4	
		6				6	
		8				8	
P = 314 lbs				P=314 lbs			

**MANUFACTURING Codes & Standards**

- NASPEC AISI S100-07 IBC 2009 2012 Compliant
- Coated in accordance to ASTM A1003 & A653
- Meets or exceeds ASTM C955 & AISI S200

**GREEN Benefits & LEED Data:**

- LEED Credit MR 2 - Construction Waste Mgmt - 1-2 Points
- LEED Credit MR 4 - Recycled Credit - 1-2 Points
- LEED Credit MR 5 - Regional Materials - 1-2 Points
- CRACO products are 100% recyclable
- Contact Technical Services for more information