

Product Category: Framing Connector

Product Name: SmartFrame® WebStiffener SFWS Patent Pending

Product Description:

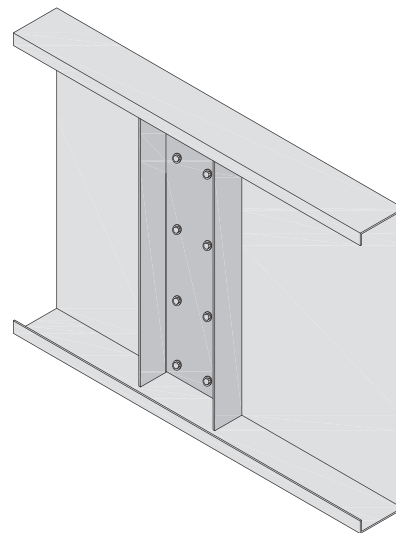
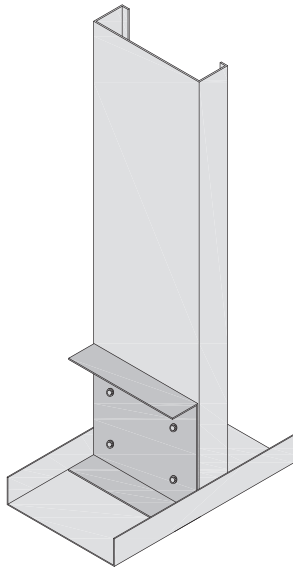
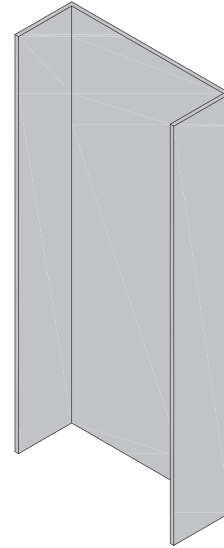
StrutFlex Connectors are used for the reinforcement of stud and joist webs. Some situations require web reinforcement to resist project loading. WebStiffeners are designed to install easily inside or outside the products web.

Material:

54mil thickness - 16 gauge, 0.0566" design thickness.
ASTM A1003 coating.

Products:

- SFWS362-600 (3.625" wide x 5.75" long)
- SFWS362-800 (3.625" wide x 7.75" long)
- SFWS362-1000 (3.625" wide x 9.75" long)
- SFWS362-1200 (3.625" wide x 11.75" long)
- SFWS600-600 (6" wide x 5.75" long)
- SFWS600-800 (6" wide x 7.75" long)
- SFWS600-1000 (6" wide x 9.75" long)
- SFWS600-1200 (6" wide x 11.75" long)



Notes:

1. Attach SmartFrame Connector to steel framing with #12 self-drilling screws.
2. It is the responsibility of the design professional to engineer and detail proper connector installation.
3. This document, dated 7/1/17, supercedes all previous versions.