

Product Category: Vertical Deflection Framing Connector
Product Name: SmartFrame® Vertiflex SFVF Patent US D644,5035

Product Description:

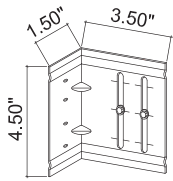
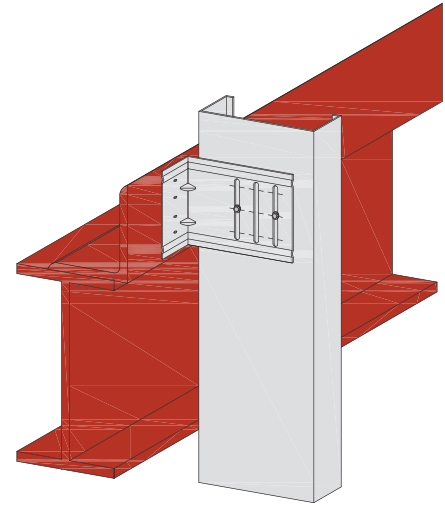
Vertiflex Deflection Connectors are used for securing steel studs to structure in a by-pass situation while simultaneously allowing for vertical deflection of the structure without the transfer of vertical loads. Vertiflex offers up to 1-1/2" vertical movement both up and down or up to 3" of vertical movement in one direction.

Material:

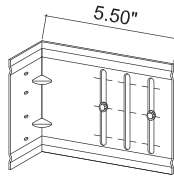
68mil thickness - 14 gauge, 0.0713" design thickness.
 ASTM A1003 coating.

Products:

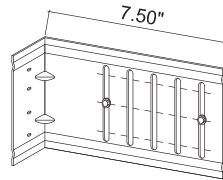
SFVF300, SFVF600, SFVF800, SFVF1000



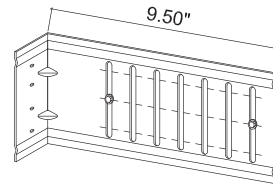
SFVF300



SFVF600



SFVF800



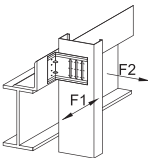
SFVF1000

SmartScrew

by Grabber



Each SFVF comes with (2) SmartScrews
 US Patent US D643,279S



Stud Member		F1	F2	
		Vertiflex Connector	Vertiflex Connector	
Thickness Ga/Mils	ksi	with (2) SmartScrews	with (2) SmartScrews	with (3) SmartScrews
20(33)	33	86	354	531
18(43)	33	120	483	724
16(54)	33	142	844	1266
14(68)	50	194	844	1266
12(97)	50	194	844	1266

SmartFrame Bucket Quantity	
SFVF300	100
SFVF600	75
SFVF800	50
SFVF1000	50

Notes:

1. Attach SmartFrame Vertiflex Connector to steel framing with included #14 self-drilling "SmartScrews" by Grabber.
2. Values shown are for preliminary purposes only based on applied loads to stud fasteners and do not consider anchorage to structure.
3. It is the responsibility of the design professional to engineer and detail proper connector installation.
4. This document, dated 7/1/17, supercedes all previous versions.