

Product Category: Rigid Framing Connector
Product Name: SmartFrame® UtilityAngle SFUA Patent Pending

Product Description:

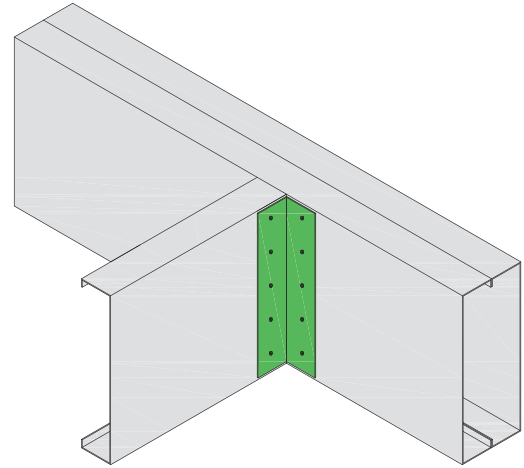
UtilityAngles are commonly used for rigid connections that require a 90 degree angle.

Material:

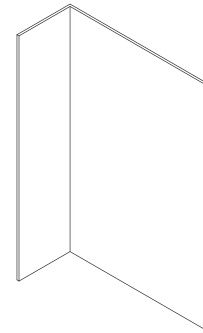
54mil thickness - 16 gauge, 0.0566" design thickness.
 68mil thickness - 14 gauge, 0.0713" design thickness.
 97mil thickness - 12 gauge, 0.1017" design thickness.
 ASTM A1003 coating.

Available Lengths:

2.50", 3.00", 3.25", 3.50", 3.75", 4.00", 5.75",
 6.00", 7.75", 8.00", 9.75", 10.00", 11.75",
 12.00", 13.75", 14.00", 15.75", 16.00"
 Other lengths available by request.



SFUA1.5"x1.5"
 SFUA2"x2"
 SFUA3"x3"
 SFUA4"x4"
 SFUA5"x5"
 SFUA6"x6"



Products:

SFUA1.5"x3", 2"x3"
 SFUA1.5"x4", 2"x4"
 SFUA1.5"x5", 2"x5"
 SFUA1.5"x6", 2"x6"
 SFUA1.5"x7", 2"x7"
 SFUA1.5"x8", 2"x8"

Other sizes available by request.

Notes:

1. Attach SmartFrame Connector to steel framing with #12 self-drilling screws.
2. It is the responsibility of the design professional to engineer and detail proper connector installation.
3. This document, dated 7/1/17, supercedes all previous versions.