

**Product Category:** Rigid Framing Connector  
**Product Name:** SmartFrame® TuffStrut SFTS Patent Pending

**Product Description:**

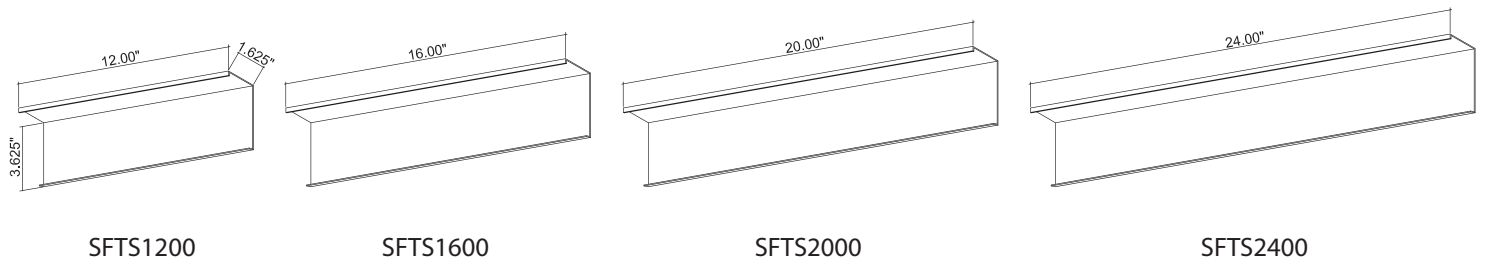
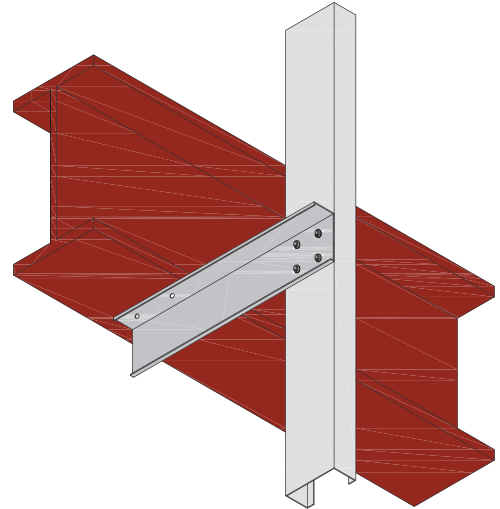
TuffStrut Connectors are used for securing steel studs to structure in a by-pass situation while also supporting the weight of the framing.

**Material:**

54mil thickness - 16 gauge, 0.0566" design thickness.  
 ASTM A1003 coating.

**Products:**

SFTS1200, SFTS1600, SFTS2000, SFTS2400



**Notes:**

1. Attach SmartFrame Connector to steel framing with #12 self-drilling screws.
2. It is the responsibility of the design professional to engineer and detail proper connector installation.
3. This document, dated 7/1/17, supercedes all previous versions.