

**Product Category:** Vertical Deflection Framing Connector  
**Product Name:** SmartFrame® TopFlex SFTFi Patent US D652,951S

**Product Description:**

TopFlex Deflection Connectors are used for securing interior non-structural studs to structure in a head of wall situation while simultaneously allowing for vertical deflection of the structure without the transfer of vertical loads.

VertiFlex offers up to 1" vertical movement both up and down or up to 2" of vertical movement in one direction.

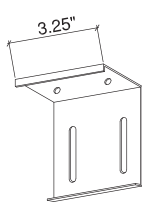
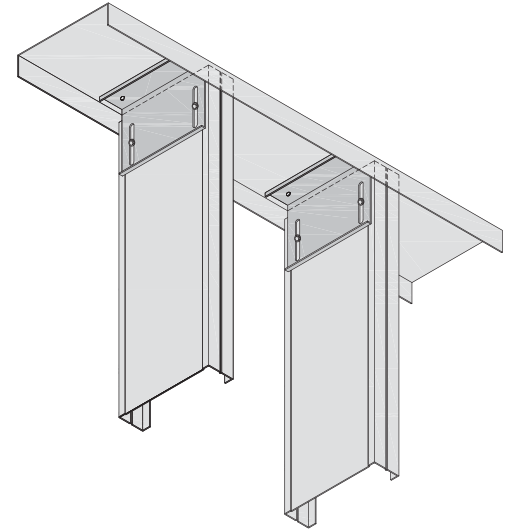
**Material:**

33mil thickness - 20 gauge, 0.0346" design thickness.

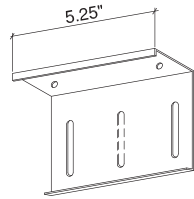
ASTM A1003 coating.

**Products:**

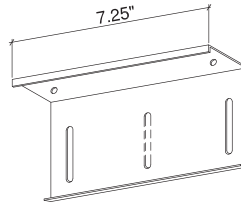
SFTF300i, SFTF600i, SFTF800i, SFTF1000i



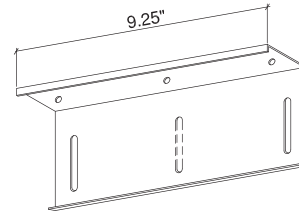
SFTF300i



SFTF600i



SFTF800i



SFTF1000i

SmartFrame Bucket Quantity	
SFTF300i	150
SFTF600i	75
SFTF800i	50
SFTF1000i	50

**Notes:**

1. Attach SmartFrame Connector to steel framing with min. #10 HWH self-drilling screws.
2. Back off tight screws slightly to allow for friction free vertical movement.
3. It is the responsibility of the design professional to engineer and detail proper connector installation.
4. This document, dated 9/12/17, supercedes all previous versions.