

**Product Category:** Vertical Deflection Framing Connector  
**Product Name:** SmartFrame® TopFlex SFTFe Patent US D652,951S

**Product Description:**

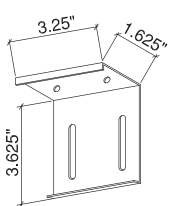
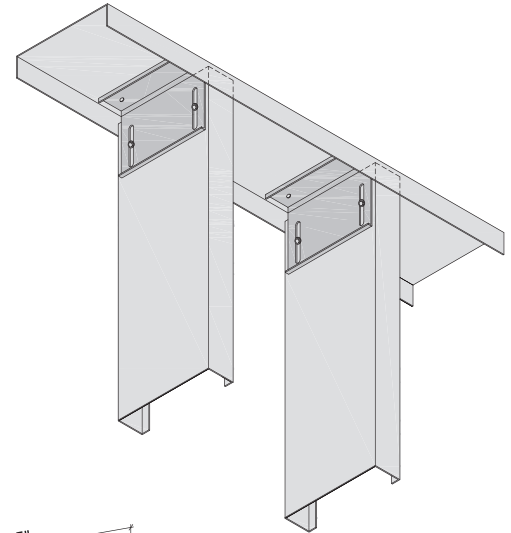
TopFlex Deflection Connectors are used for securing steel studs to structure in a head of wall situation while simultaneously allowing for vertical deflection of the structure without the transfer of vertical loads. VertiFlex offers up to 1" vertical movement both up and down or up to 2" of vertical movement in one direction.

**Material:**

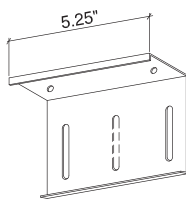
54mil thickness - 16 gauge, 0.0566" design thickness.  
 ASTM A1003 coating.

**Products:**

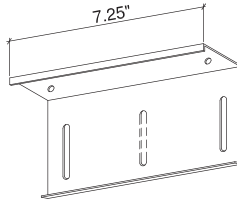
SFTF300e, SFTF600e, SFTF800e, SFTF1000e



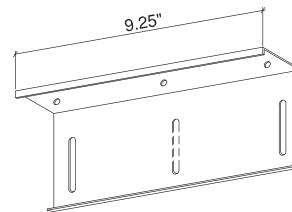
SFTF300e



SFTF600e



SFTF800e



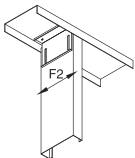
SFTF1000e

**SmartScrew**

by Grabber



Each SFTFe comes with (2) SmartScrews  
 US Patent D643,279S



Stud Member		F2	
		TopFlex-e Connector	
Thickness Ga/Mils	ksi	with (2) SmartScrews	with (3) SmartScrews
20(33)	33	354	531
18(43)	33	483	724
16(54)	33	844	1266
14(68)	50	844	1266
12(97)	50	844	1266

SmartFrame Bucket Quantity	
SFTF300e	150
SFTF600e	50
SFTF800e	50
SFTF1000e	50

**Notes:**

1. Attach SmartFrame TopFlex-e Connector to steel framing with included #14 self-drilling "SmartScrews" by Grabber.
2. Values shown are for preliminary purposes only based on applied loads to stud fasteners and do not consider anchorage to structure.
3. It is the responsibility of the design professional to engineer and detail proper connector installation.
4. Dotted line slots in drawings above are available by special order.
4. This document, dated 7/1/17, supercedes all previous versions.