

Product Category: Framing Connector
Product Name: SmartFrame® StrapTie SFST Patent Pending

Product Description:

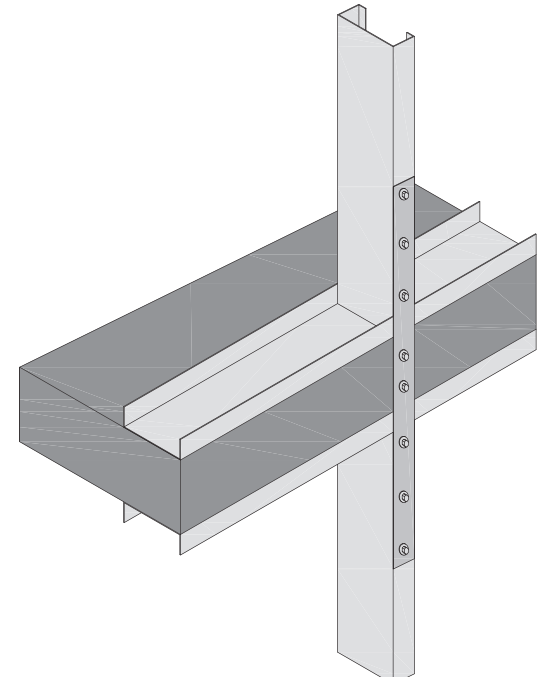
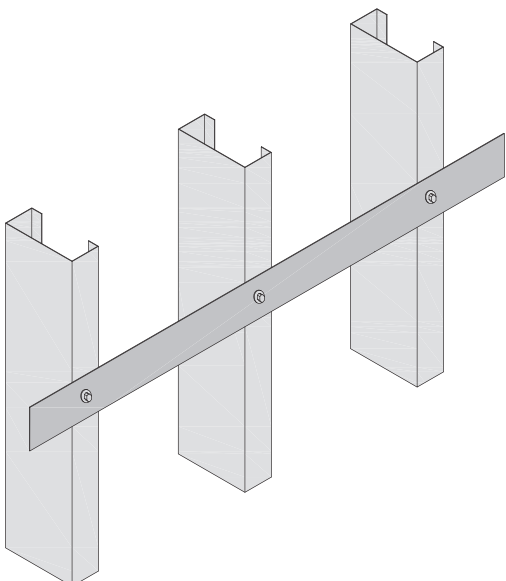
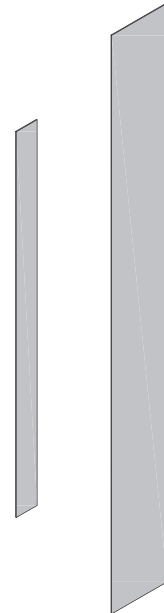
StrapTies have multiple uses. Some of the most popular as tension straps for bracing and backer plates for fastening hand rails, shelving and cabinetry.

Material:

33mil thickness - 20 gauge, 0.0346" design thickness.
 43mil thickness - 18 gauge, 0.0451" design thickness.
 54mil thickness - 16 gauge, 0.0566" design thickness.
 ASTM A1003 coating.

Products:

SFST150-33, SFST150-43, SFST150-54 (lengths of 24", 36", 48")
 SFST200-33, SFST200-43, SFST200-54 (lengths of 24", 36", 48")
 SFST300-33, SFST300-43, SFST300-54 (lengths of 24", 36", 48")
 SFST400-33, SFST400-43, SFST400-54 (lengths of 24", 36", 48")
 Other mil thickness, width and lengths available by request.



Notes:

1. Attach SmartFrame Connector to steel framing with #12 self-drilling screws.
2. It is the responsibility of the design professional to engineer and detail proper connector installation.
3. This document, dated 7/1/17, supercedes all previous versions.