

Product Category: Framing Connector

Product Name: SmartFrame® SolidBlocking SFSB Patent Pending

Product Description:

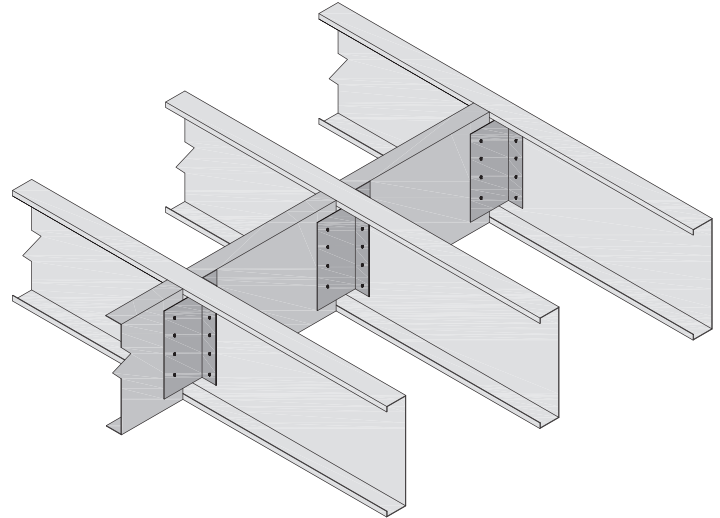
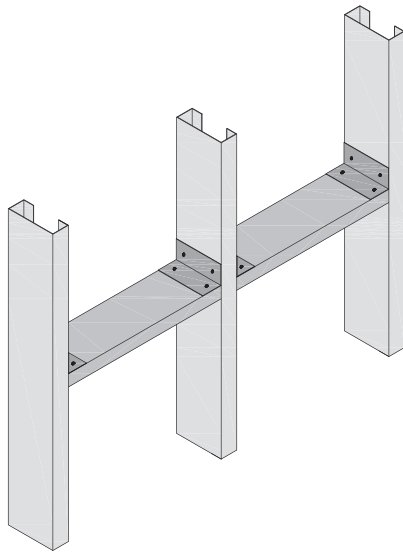
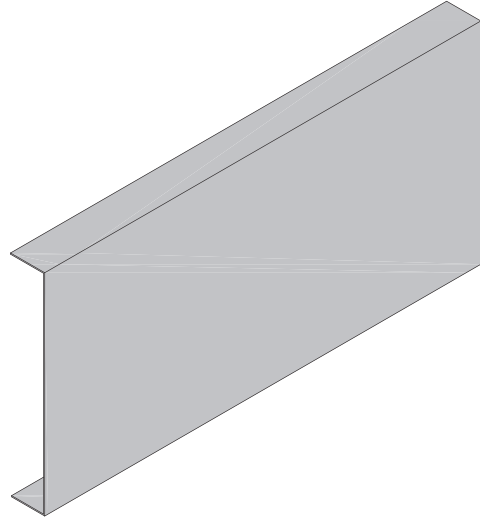
SolidBlocking Connectors are used for wall and joist framing when blocking is required. SolidBlocking is connected to studs and joists using SmartFrame UtilityAngles.

Material:

54mil thickness - 16 gauge, 0.0566" design thickness.
ASTM A1003 coating.

Products:

SFSB362-16 (3.625" wide x 13.75" long)
SFSB362-24 (3.625" wide x 21.75" long)
SFSB600-16 (6" wide x 13.75" long)
SFSB600-24 (6" wide x 21.75" long)
SFSB800-16 (8" wide x 13.75" long)
SFSB800-24 (8" wide x 21.75" long)
SFSB1000-16 (10" wide x 13.75" long)
SFSB1000-24 (10" wide x 21.75" long)
SFSB1200-16 (12" wide x 13.75" long)
SFSB1200-24 (12" wide x 21.75" long)



Notes:

1. Attach SmartFrame Connector to steel framing with #12 self-drilling screws.
2. It is the responsibility of the design professional to engineer and detail proper connector installation.
3. This document, dated 7/1/17, supercedes all previous versions.