

**Product Category:** Rigid Framing Connector  
**Product Name:** SmartFrame® RigidClip SFAP Patent Pending

**Product Description:**

RigidClips are used for many applications requiring a rigid connection to structure.

**Material:**

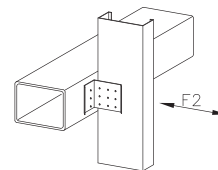
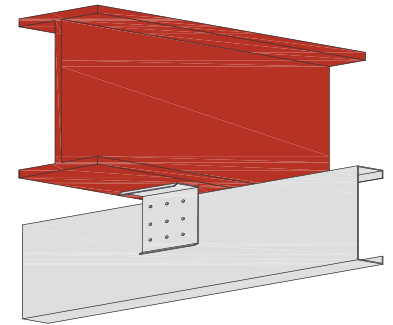
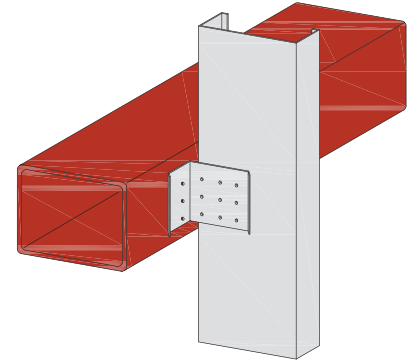
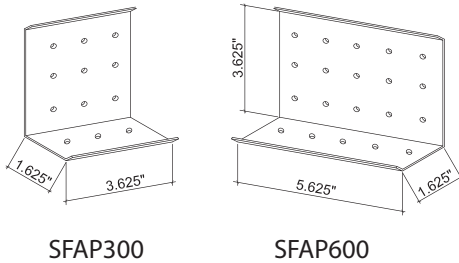
54mil thickness - 16 gauge, 0.0566" design thickness.  
 ASTM A1003 coating.

**Products:**

SFAP300-54 (1.5" x 3.625" x 3.375")

SFAP600-54 (1.5" x 3.625" x 3.375")

Other mil thickness's available by request.



SmartFrame Bucket Quantity	
SFAP300-54	150
SFAP600-54	75

Stud Member		F2	
		RigidClip AP	
Thickness Ga/Mils	ksi	w/4 #12 Screws	w/6 #12 Screws
20(33)	33	708	1062
18(43)	33	1052	1578
16(54)	33	1480	2220
14(68)	50	1556	2334
12(97)	50	1556	2334

**Notes:**

1. Attach SmartFrame Connector to steel framing with #12 self-drilling screws.
2. Values shown are for preliminary purposes only based on applied loads to stud fasteners and do not consider anchorage to structure.
3. It is the responsibility of the design professional to engineer and detail proper connector installation.
4. This document, dated 7/1/17, supercedes all previous versions.