

**Product Category:** Framing Connector

**Product Name:** SmartFrame® KatzBlocking SFKB Patent Pending

**Product Description:**

KatzBlocking is used for many purposes. The most common use is for solid blocking and as an anchor point.

**Material:**

18mil thickness - 25 gauge, 0.0188" design thickness.

30mil thickness - 20 gauge, 0.0312" design thickness.

43mil thickness - 18 gauge, 0.0451" design thickness.

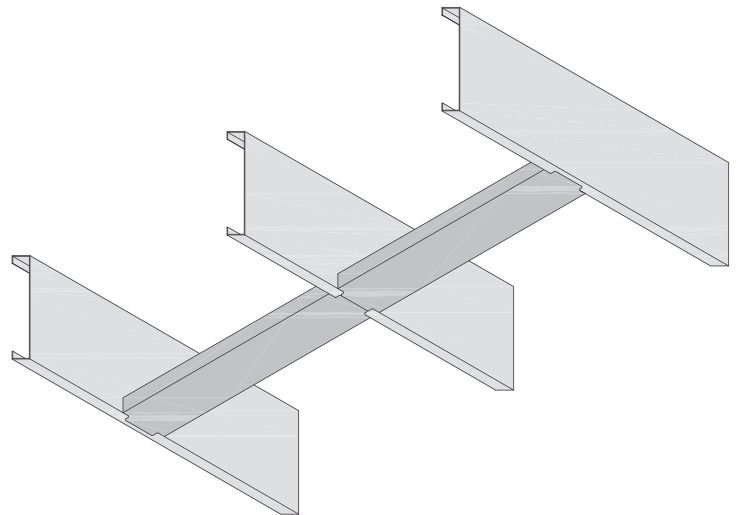
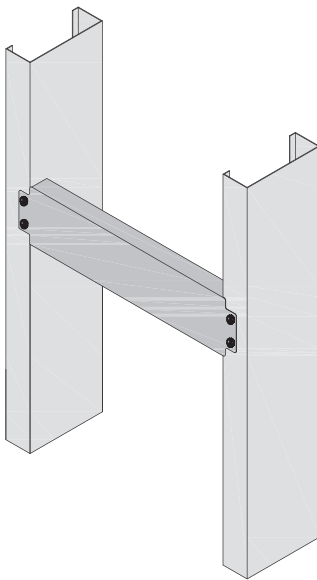
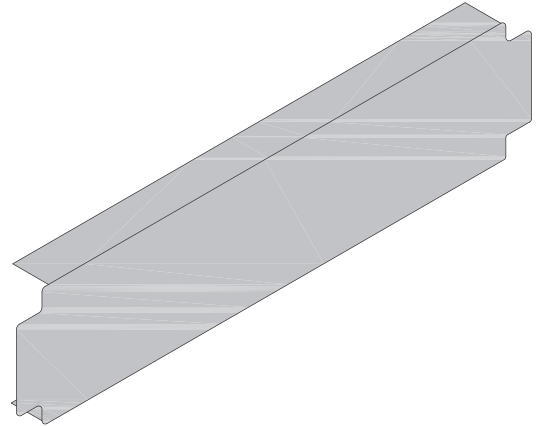
ASTM A1003 coating.

**Products:**

SFKB362-16-18, SFKB362-16-30, SFKB362-16-43

SFKB362-24-18, SFKB362-24-30, SFKB362-24-43

Other mil thickness, width and lengths available by request.



**Notes:**

1. Attach SmartFrame Connector to steel framing with #12 self-drilling screws.
2. It is the responsibility of the design professional to engineer and detail proper connector installation.
3. This document, dated 7/1/17, supercedes all previous versions.