

Product Category: Framing Connector

Product Name: SmartFrame® GussetPlate SFGP Patent Pending

Product Description:

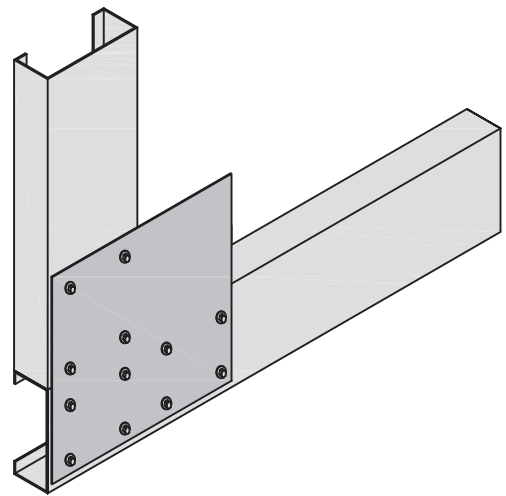
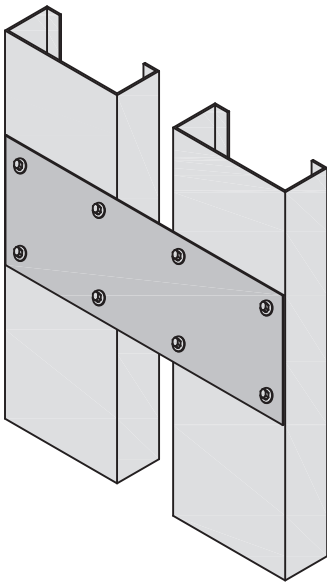
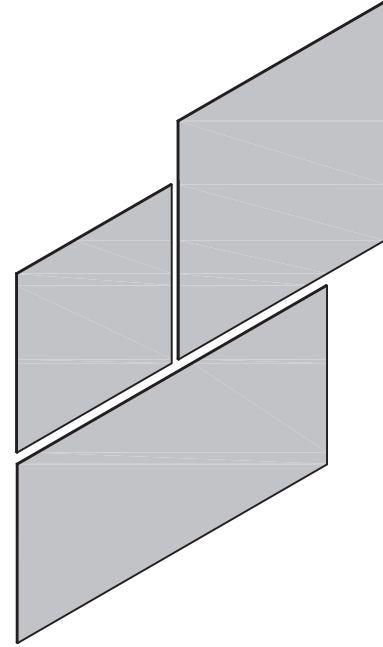
GussetPlates have multiple uses with some of the most common being for flat connector for in plane trusses and adjacent wall framing.

Material:

33mil thickness - 20 gauge, 0.0346" design thickness.
43mil thickness - 18 gauge, 0.0451" design thickness.
54mil thickness - 16 gauge, 0.0566" design thickness.
ASTM A1003 coating.

Products:

SFGP66-33, SFGP66-43, SFGP66-54 (6"x6")
SFGP88-33, SFGP88-43, SFGP88-54 (8"x8")
SFGP612-33, SFGP612-43, SFGP612-54 (6"x12")
SFGP1212-33, SFGP1212-43, SFGP1212-54 (12"x12")
Other mil thickness, width and lengths available by request.



Notes:

1. Attach SmartFrame Connector to steel framing with #12 self-drilling screws.
2. It is the responsibility of the design professional to engineer and detail proper connector installation.
3. This document, dated 7/1/17, supercedes all previous versions.