

Product Category: Bridging Connector

Product Name: SmartFrame® CRC Connector SFCC Patent Pending

Product Description:

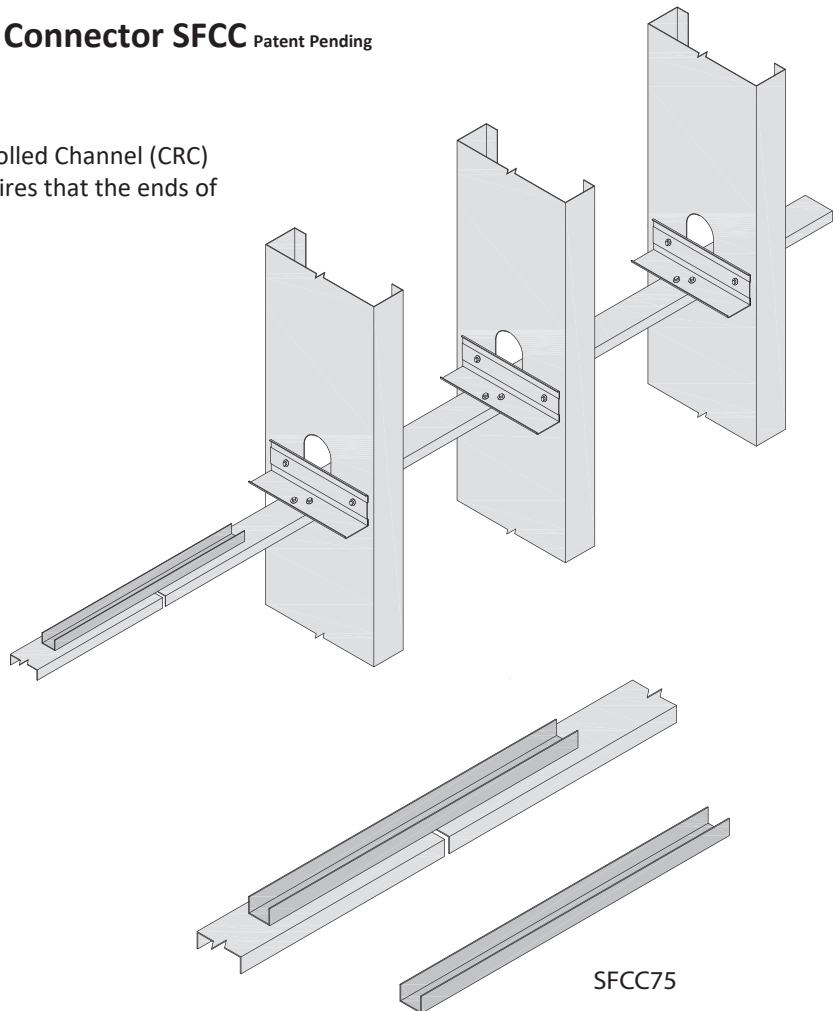
CRC Connectors are used to secure ends of Cold Rolled Channel (CRC) together when used for wall bridging. Design requires that the ends of CRC are positively connected.

Material:

43mil - 18 gauge, 0.0451" design thickness
ASTM A1003 coating.

Products:

SFCC75 (3/4" wide x 10" long)



Notes:

1. It is the responsibility of the design professional to engineer and detail proper connector installation.
2. This document, dated 7/1/17, supercedes all previous versions.