

Product Category: Bridging Connector

Product Name: SmartFrame® BridgeSmart SFBC Patent Pending

Product Description:

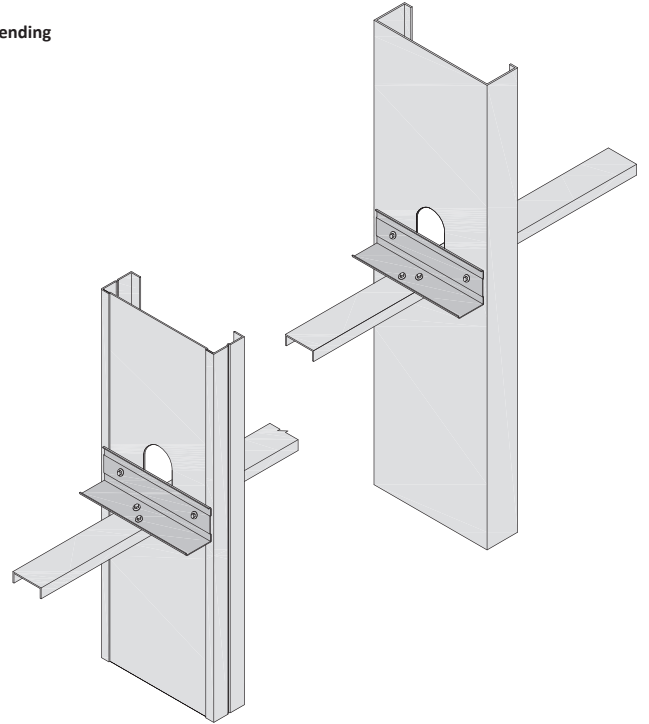
BridgeSmart Connector Clips are used to secure cold rolled channel (CRC) to studs to resist loads imposed on the studs. CRC must be positively connected to each stud.

Material:

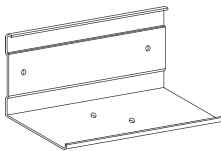
33mil - 20 gauge, 0.0346" design thickness for SFBC300 & SFBC600.
 54mil - 16 gauge, 0.0566" design thickness for SFBC654 & SFBC654.
 ASTM A1003 coating.

Products:

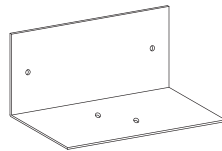
SFBC300, SFBC600, SFBC354, SFBC654



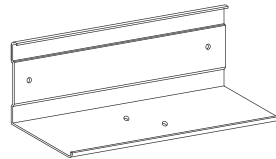
SmartFrame Bucket Quantity	
SFBC300	300
SFBC354	250
SFBC600	200
SFBC654	150



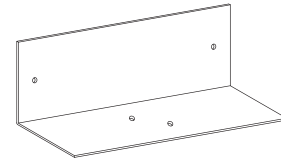
SFBC300



SFBC354



SFBC600



SFBC654

Notes:

1. Attach SmartFrame Connector to steel framing with appropriate mil thickness self-drilling screws.
2. SFBC800 & SFBC854 available by request.
3. It is the responsibility of the design professional to engineer and detail proper connector installation.
4. This document, dated 7/1/17, supercedes all previous versions.