

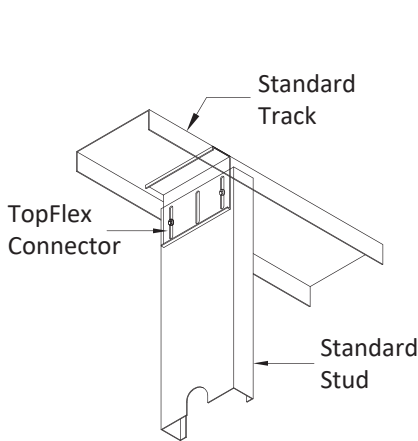
Product Category: Vertical Deflection
Product Name: SmartFrame® Head of Wall Details

Product Description:

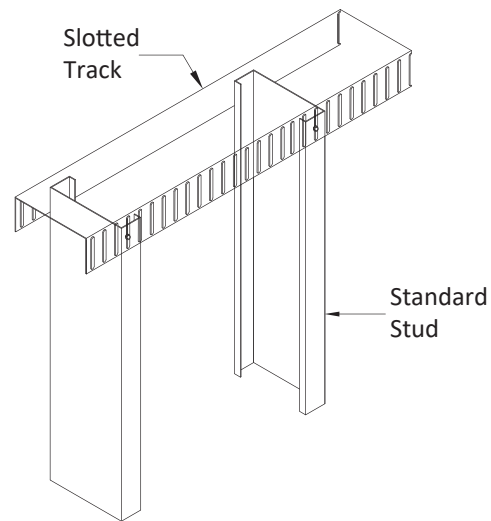
Most interior and exterior wall framing requires Head of Wall Deflection. Head of Wall Deflection is a system that allows for vertical deflection of the structure above the wall without imposing any axial load on the wall framing.

Assembly Systems:

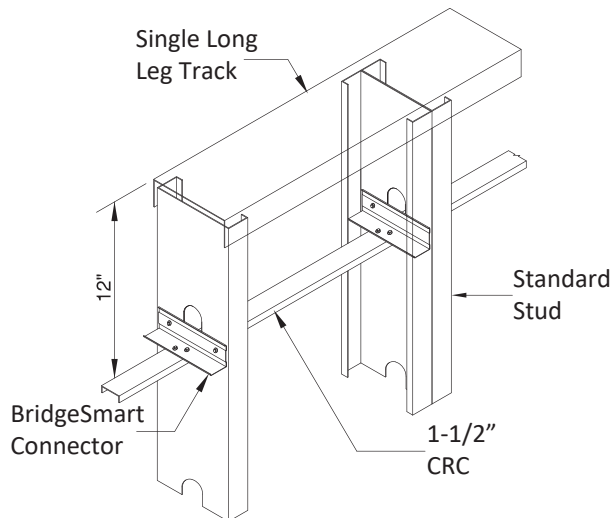
TopFlex with Standard Track, Slotted Track, Single Deflection Track with CRC, Double Track Deflection Track.



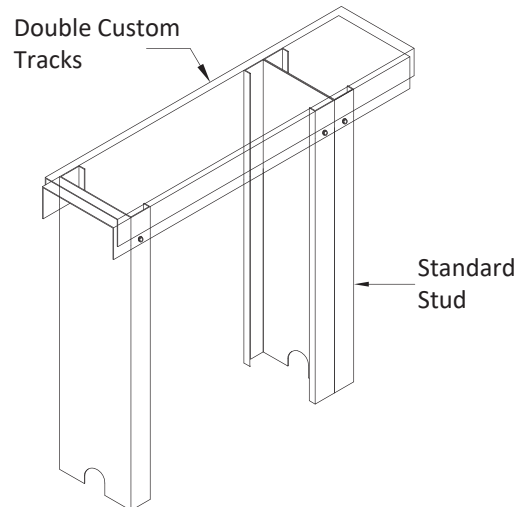
TopFlex with Standard Track



Slotted Deflection Track



Single Deflection Track



Double Deflection Track