

SmartFrame® TopFlex Slide Clip (SFTF) Patent Pending

SmartFrame TopFlex Slide Clips are used for Head of Wall vertical deflection.

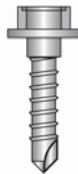
The TopFlex Slide Clips offer up to 2" of vertical movement or 1" up and down.

TopFlex Slide Clips are manufactured from 54 mil (16g) steel for exterior (e) applications & 33 mil (20g) steel for interior (i) applications.

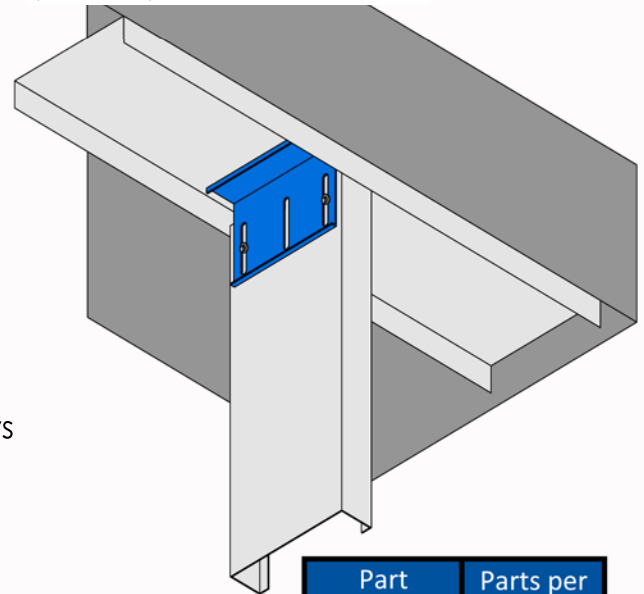
TopFlex Clips come packaged with SmartScrews designed to provide positive attachment of steel studs to the TopFlex Slide Clips while also allowing for vertical movement of the structure.

The SmartScrew is manufactured by Grabber for CRACO.

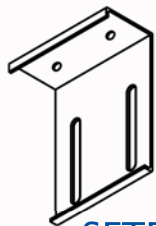
The SmartScrew



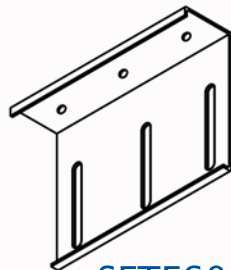
#14x3/4" HWH SmartScrew (2) included per Slide Clip Available in 55 piece bags. Patent Pending *No SmartScrews provided with TopFlex (i) Interior Slide Clips.*



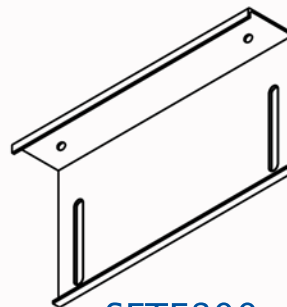
Part Number	Parts per Bucket
SFTF300e	150
SFTF600e	100
SFTF800e	50
SFTF1000e	50



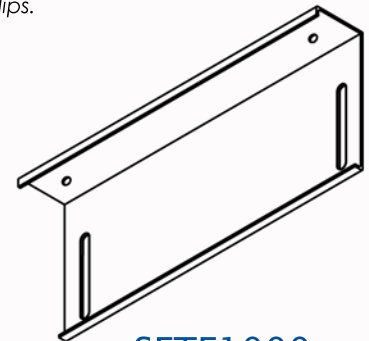
SFTF300e
SFTF300i



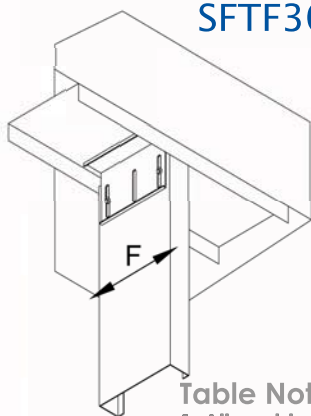
SFTF600e
SFTF600i



SFTF800e
SFTF800i



SFTF1000e
SFTF1000i



Part Number	Stud Thickness		Allowable Loads (F) with (2) SmartScrews to stud	Part Number	Stud Thickness		Allowable Loads (F) with (2) SmartScrews to stud	Allowable Loads (F) with (3) SmartScrews to stud
	Mils	Gauge			Mils	Gauge		
SFTF300e	33	20	352	SFTF600e SFTF800e SFTF1000e	33	20	371	556
	43	18	560		43	18	577	865
	54	16	768		54	16	784	1176
	68	14	768		68	14	784	1176

Table Notes:

1. Allowable loads have not been increased for wind, seismic, or other factors.
2. Attach anchors to buildings structure according to manufacturers specifications.
3. All connections of the TopFlex to Stud and Structure are the responsibility of the design professional.
4. Craco suggests Hilti brand pins and anchors or equal for the connection of the TopFlex to Structure.
5. Safety factor determined in accordance with section F1.2 of the NASPEC data specified in AC261 and test data.
6. Product testing conducted at Cerny & Ivey Engineers, Inc., an ISO/IEC 17025 (ICC-ES) Accredited Laboratory.
7. In the event this product is to be used in a fire rated partition the Project Design Professionals must verify the allowance of the TopFlex as an additional component to existing UL assemblies of HWD-0001, HWD-0002, HWD-0050 & HWD-0100.