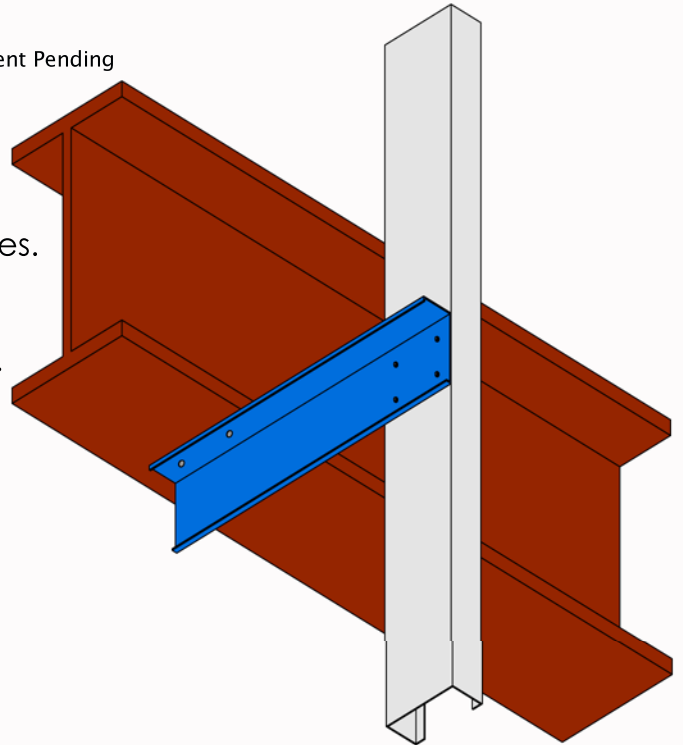


## SmartFrame® TuffStrut (SFTS) Patent Pending

SmartFrame TuffStruts are used for the rigid attachment of steel studs to the buildings structure to support the dead load weight of the framing and resist lateral forces.

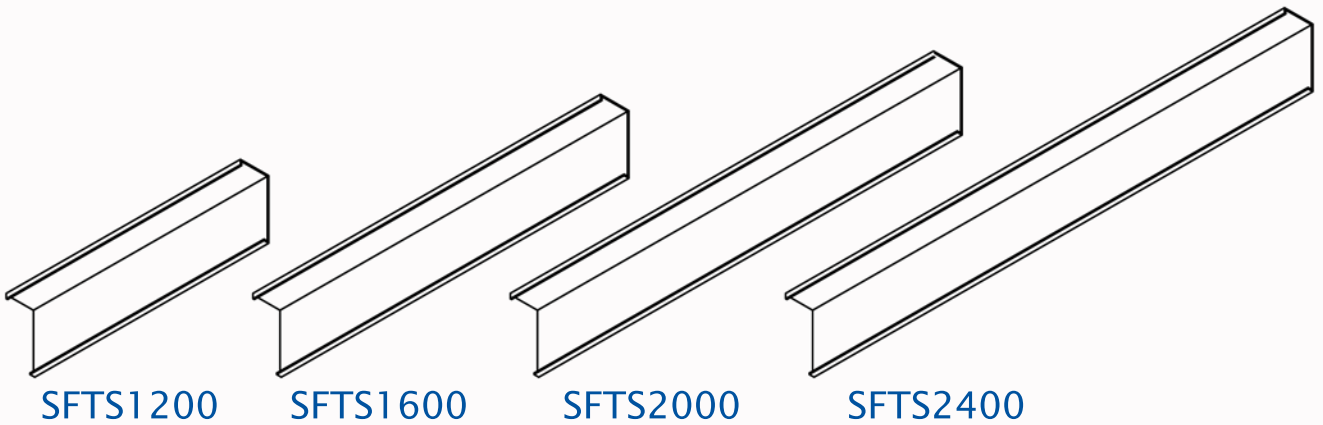
The SmartFrame TuffStrut Clips are manufactured from 54mils (16g) 50KSI steel.

The SmartFrame TuffStruts Clips have many other uses such as for cantilevered applications in both horizontal and vertical applications.



**Part numbers:**

SFTS1200, SFTS1600, SFTS2000, SFTS2400



| TuffStrut Section Properties |                        |                        |         |         |                        |                        |
|------------------------------|------------------------|------------------------|---------|---------|------------------------|------------------------|
| Area (in <sup>2</sup> )      | Ixx (in <sup>4</sup> ) | Iyy (in <sup>4</sup> ) | Rx (in) | Ry (in) | Sxx (in <sup>3</sup> ) | Syy (in <sup>3</sup> ) |
| 0.37                         | 0.055                  | 0.068                  | 1.219   | 0.43    | 0.242                  | 0.055                  |

**Table Notes:**

1. The attachment of the TuffStrut to structure is most common by weld or PAF.
2. When using PAF's it is suggested to install them within 3/4" from the heel of the TuffStrut.
3. It is the responsibility of the designer to provide the connection of the clip to structure and to check for bending on the clips.