

# SmartFrame® UtilityAngles (SFUA)

SmartFrame UtilityAngles are used for many situations of attaching cold formed steel framing members together.

The SmartFrame UtilityAngles are available in (3) leg size patterns and in lengths of 3.125" (362), 5.75" (600), 7.75" (800), 9.75" (1000) & 11.75" (1200).

UtilityAngles products are manufactured in 54mils (16g), 68mils (14g) & 97mils (12g).

**Part numbers:**

**(SFUA-Leg size(2"x2") Mills**

**Length**

|                |                |                |
|----------------|----------------|----------------|
| SFUA22-54-362  | SFUA22-68-362  | SFUA22-97-362  |
| SFUA22-54-600  | SFUA22-68-600  | SFUA22-97-600  |
| SFUA22-54-800  | SFUA22-68-800  | SFUA22-97-800  |
| SFUA22-54-1000 | SFUA22-68-1000 | SFUA22-97-1000 |
| SFUA22-54-1200 | SFUA22-68-1200 | SFUA22-97-1200 |

**(SFUA-Leg size(1.5"x4") Mills**

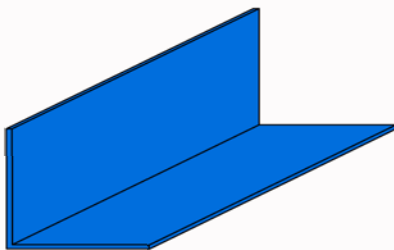
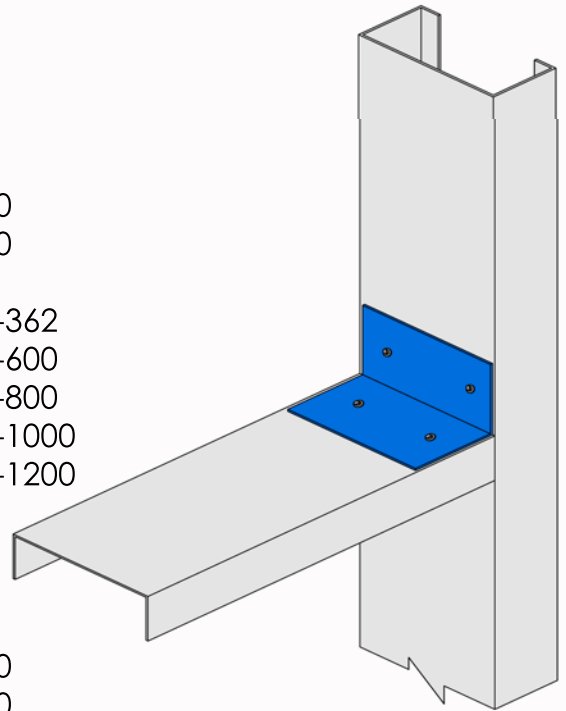
**Length**

|                 |                 |                 |
|-----------------|-----------------|-----------------|
| SFUA154-54-362  | SFUA154-68-362  | SFUA154-97-362  |
| SFUA154-54-600  | SFUA154-68-600  | SFUA154-97-600  |
| SFUA154-54-800  | SFUA154-68-800  | SFUA154-97-800  |
| SFUA154-54-1000 | SFUA154-68-1000 | SFUA154-97-1000 |
| SFUA154-54-1200 | SFUA154-68-1200 | SFUA154-97-1200 |

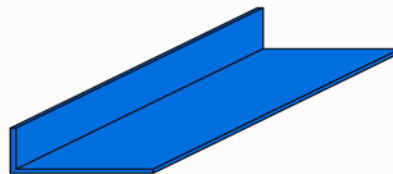
**(SFUA-Leg size(4"x4") Mills**

**Length**

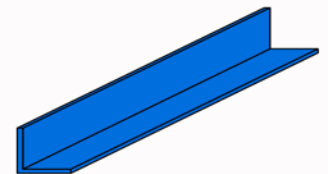
|                |                |                |
|----------------|----------------|----------------|
| SFUA44-54-362  | SFUA44-68-362  | SFUA44-97-362  |
| SFUA44-54-600  | SFUA44-68-600  | SFUA44-97-600  |
| SFUA44-54-800  | SFUA44-68-800  | SFUA44-97-800  |
| SFUA44-54-1000 | SFUA44-68-1000 | SFUA44-97-1000 |
| SFUA44-54-1200 | SFUA44-68-1200 | SFUA44-97-1200 |



SFUA44  
4" x 4"



SFUA154  
1.5" x 4"



SFUA1515  
1.5" x 1.5"