

SmartFrame® Clips for Bridging (SFBC)

SmartFrame Clips for Bridging are appropriately sized to for connecting Cold Rolled Channel (CRC) to Steel Studs or Joists for mechanical bridging purposes.

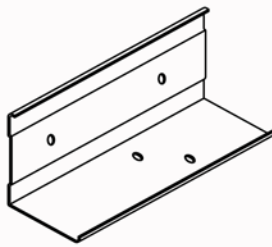
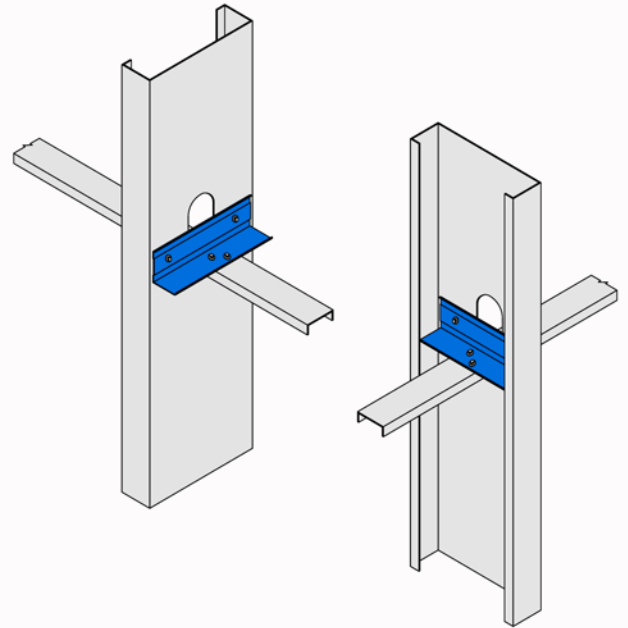
These products have superior reinforcements resulting in superior strength.

Clips are produced to fit securely inside or outside of the products web.

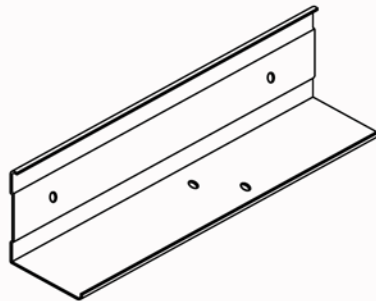
SFBC Series 300 Clips for Bridging are used with 3-5/8" and 4" Stud widths.

SFBC Series 600 & Series 654 Clips for Bridging are used with 6" and 8" Stud widths.

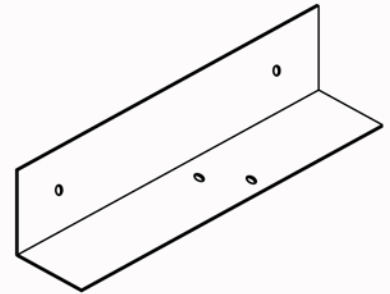
Part numbers: SFBC300, SFBC600, SFBC654



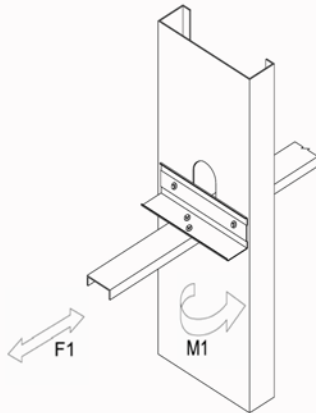
SFBC300



SFBC600



SFBC654



Part Number	Part Thickness		Allowable Loads	
	Mils	Gauge	F1 (lbs)	M1 (in ilbs)
SFBC300	33	20	391	557
SFBC600	33	20	392	589
SFBC654	54	16	394	655

Table Notes:

1. Allowable loads have not been increased for wind, seismic or other factors.
2. Attach SmartFrame Clips for Bridging to steel studs with #10-16 screws thru pre-punched holes.
3. Safety factor determined in accordance with section F1.2 of the Naspec data specified in AC261 and test data.
4. Product testing conducted at Cerny & Ivey Testing Laboratory.